

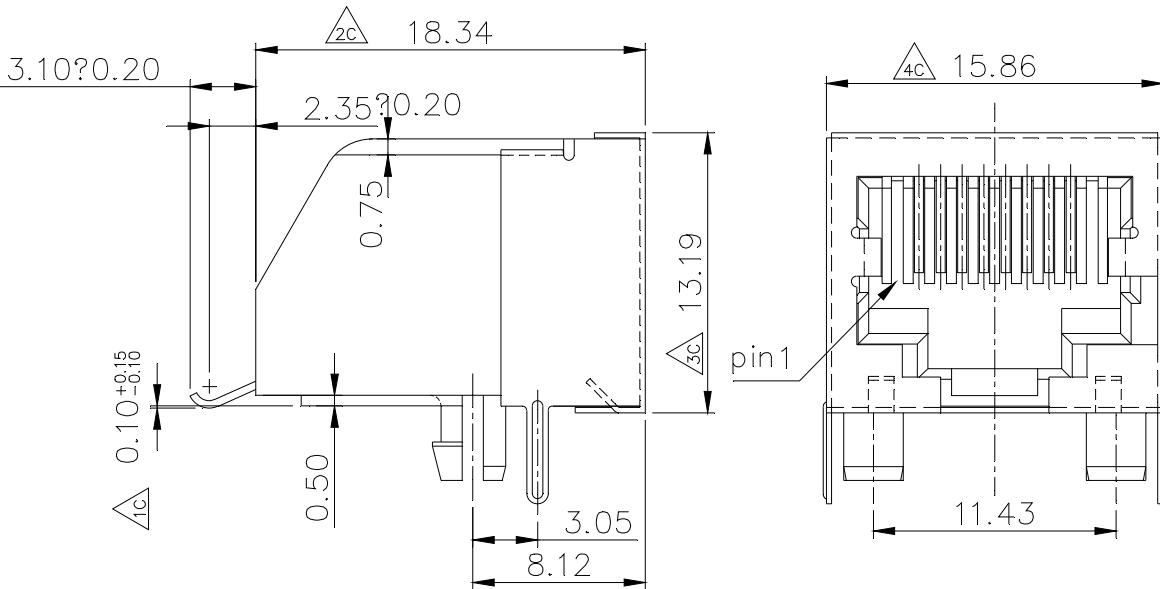
MATERIALS:

PLASTIC HOUSING: HIGH TEMP. THERMOPLASTIC  
FLAMMABILITY RATING UL 94V-0.

CONTACTS: PHOSPHOR BRONZE

PLATING: GOLD PLATING OVER NICKEL IN CONTACT.  
TIN PLATING OVER NICKEL IN SOLDER AREA.

SHIELDED: BRASS WITH NICKEL PLATED



PCB LAYOUT/TOP VIEW

※ 凡標註記號者, 為品管檢驗之尺寸

- 6u" P/N 3019BA6111
- 15u" P/N 3019BA6211
- 30u" P/N 3019BA6311
- 50u" P/N 3019BA6411

|                                    |                              |   |           |   |
|------------------------------------|------------------------------|---|-----------|---|
| 設計DR.<br>Andy<br>94-02-03          | 核准APPD.<br>Jerry<br>94-02-03 | 容許公差<br>.XXX ±0.10<br>.XX ±0.25<br>.X ±0.38<br>X ±0.50<br>ANG ±3° | TOLERANCE | 品名<br>ARTICLE SIDE ENTRY PCB JACK(8P8C SMT) |
| 版本說明 REVISION NOTE<br>更改SMT公差, 發B版 |                              | 圖號<br>DWG NO. 3019BA6111  |           | 單位 UNIT<br>mm                               |
| Coorle 库乐科技                        |                              | 比例 SCALE 張數 SHEET 1/1   |           | 版本 REV. B                                   |